


TUBUL[®]ARCH U6 – INSTALLATION INSTRUCTIONS

Products covered by this instruction guide¹:

- Tubul[®]ARCH | BYPass U6

	<p>IMPORTANT SAFETY INSTRUCTIONS</p> <p>WARNING: THIS PRODUCT MUST BE INSTALLED IN ACCORDANCE WITH THE APPLICABLE INSTALLATION CODE BY A PERSON FAMILIAR WITH THE CONSTRUCTION AND OPERATION OF THE PRODUCT AND THE HAZARDS INVOLVED</p> <p>RISK OF SHOCK: DISCONNECT POWER BEFORE INSTALLATION</p>
---	--

The retrofit kit includes one (1) LED tube, one (1) installation instruction, and one (1) field-applied label.

Risk of fire or electric shock – the electrical rating of this product is 120-277V, the installer must determine whether they have AC120-277V at the luminaire before installation.

Risk of fire or electric shock – retrofit kit installation requires knowledge of florescent lighting luminaires electrical systems. If not qualified, do not attempt installation. Contact a qualified electrician.

Risk of fire or electric shock – install this kit only in the luminaires that have the construction features and dimensions shown in the drawings.

Risk of fire or electric shock – do not use this kit in luminaires that employ shunted bi-pin lamp holders (found in fixtures that use instant start ballasts).

Rick of fire or electric shock – luminaires wiring, ballasts, or other electrical parts may be damaged when drilling for installation of retrofit kit hardware. Check for enclosed wiring and components.

To prevent wiring damage or abrasion, do not expose wiring to edges of sheet metal or other sharp objects.

	<p>IMPORTANT SAFETY INSTRUCTIONS</p>
---	---

Do not make or alter any open holes in an enclosure of wiring or electrical components during kit installation.

Not for use with dimmers.

The end retrofit luminaire has been modified and can no longer operate the originally intended lamp.

Caution-Risk of electric shock – suitable in damp location.

Risk of electric shock – do not use where directly exposed to water.

This device is not intended for use with emergency exit fixtures or emergency exit lights.

¹ NOTE: Specifications are subject to change without notice.

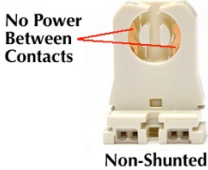
TUBULARCH U6 – INSTALLATION INSTRUCTIONS



INSTALLATION INSTRUCTIONS

DO NOT INSTALL THIS PRODUCT IN A FIXTURE THAT USES SHUNTED LAMP HOLDERS

Installing this product with shunted lamp holders will cause a short circuit condition in the lamp holder and created a fire or shock hazard. Before continuing, determine if the lamp holders currently installed in the fixture are shunted or non-shunted. If the current lamp holders are shunted, cut the wires away from the lamp holders and install non-shunted lamp holders, making new connections with the lead wires at terminals shown here:



- STEP 1:** Shut OFF power work.
- STEP 2:** Remove existing fluorescent tube(s) and diffuser (if applicable) and open the ballast cover.
- STEP 3:** Disconnect luminaire supply wirings **L** and **N** to branch circuit as shown in Figure 1.

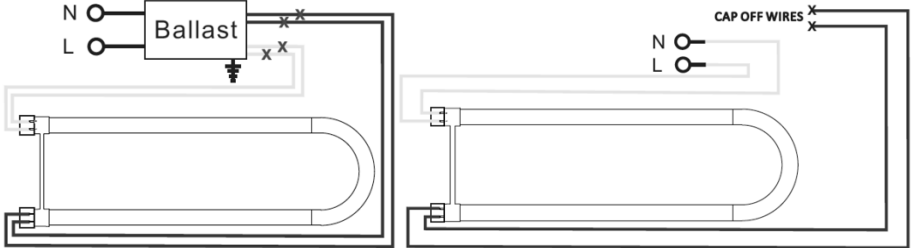


Figure 1

STEP 4: Original circuit as shown in Figure 2. Cut lamp holder leads “1, 2, 3, 4”, then connect one lead from each lamp holder to branch circuit as follows, “Leads 1 and 4” connected to L; “Leads 2 and 3” connected to N as shown in Figure 3. Cut as far away from the lamp holders to allow for longer lengths of wire at both lamp holders.

Note: Ballast must be retained in place.

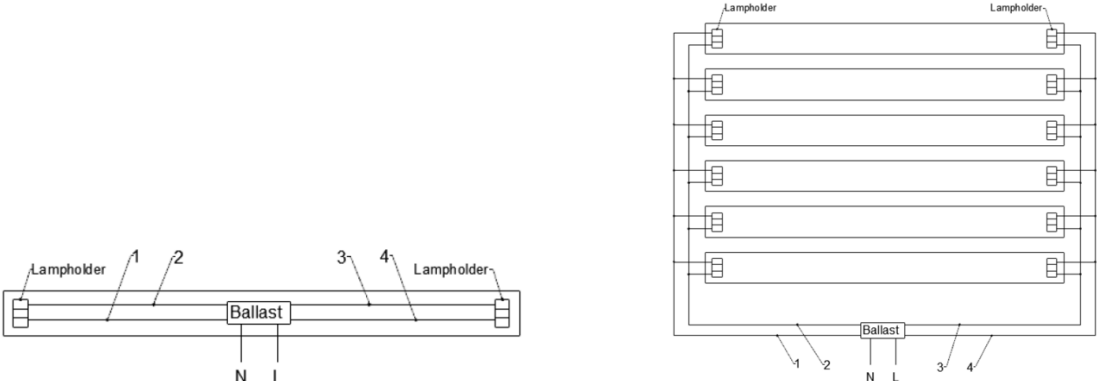


Figure 2

TUBUL[®]ARCH U6 – INSTALLATION INSTRUCTIONS

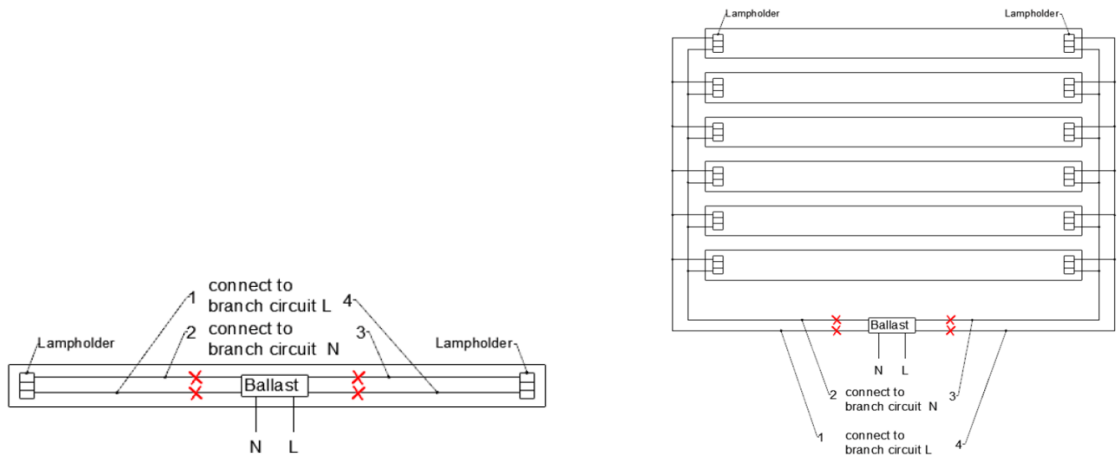


Figure 3

STEP 5: Attach the field applied label to the luminaire. Install ballast cover and diffuser (if applicable) back on the luminaire, and LED tube as shown in Figure 4.

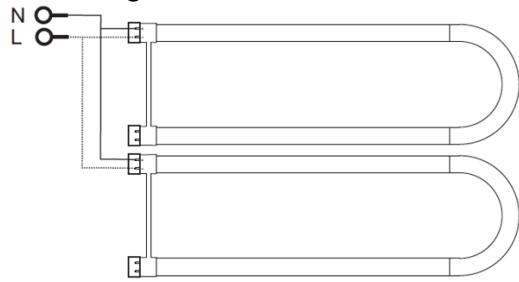


Figure 4

STEP 6: Turn ON the AC power source, Tubul[®]ARCH tube will light up.

SERVICE CONTACT:

Archipelago Lighting, Inc. | Technical Support | (866) 912-3220 | technical@archipelagolighting.com