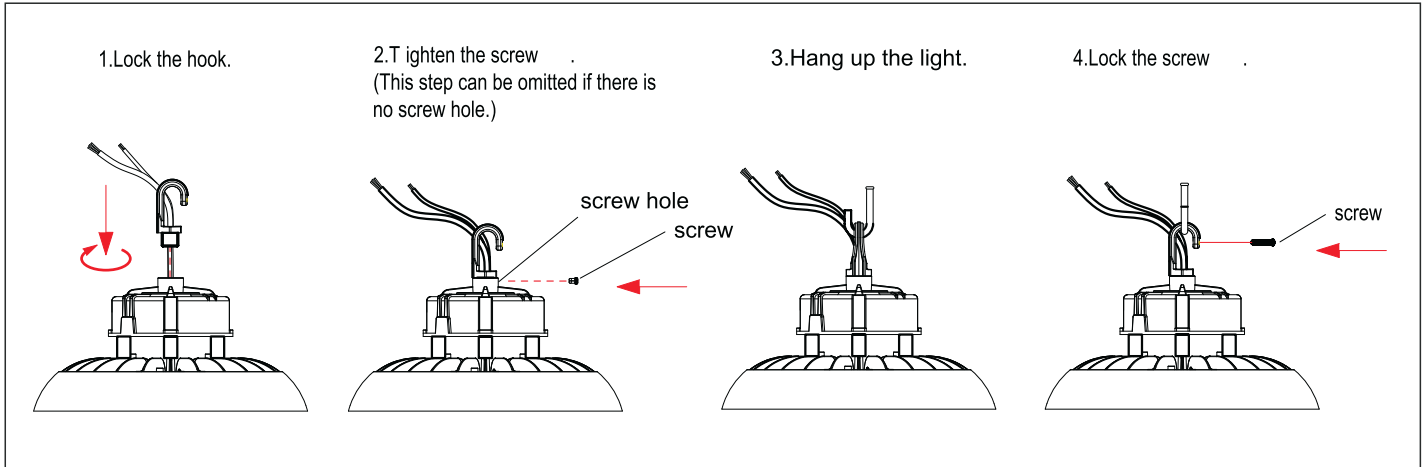


## Installation Instruction



### Wiring Connection

Turn off the power, connect AC wire. black wire to L, white wire to N, and green wire to E.

Dimmer connection ( With dimmable driver.)

1. Compatible with 1-10V dimming.
2. Connect wires as below, purple wire is D +, gray wire is D -, cap black wire.

